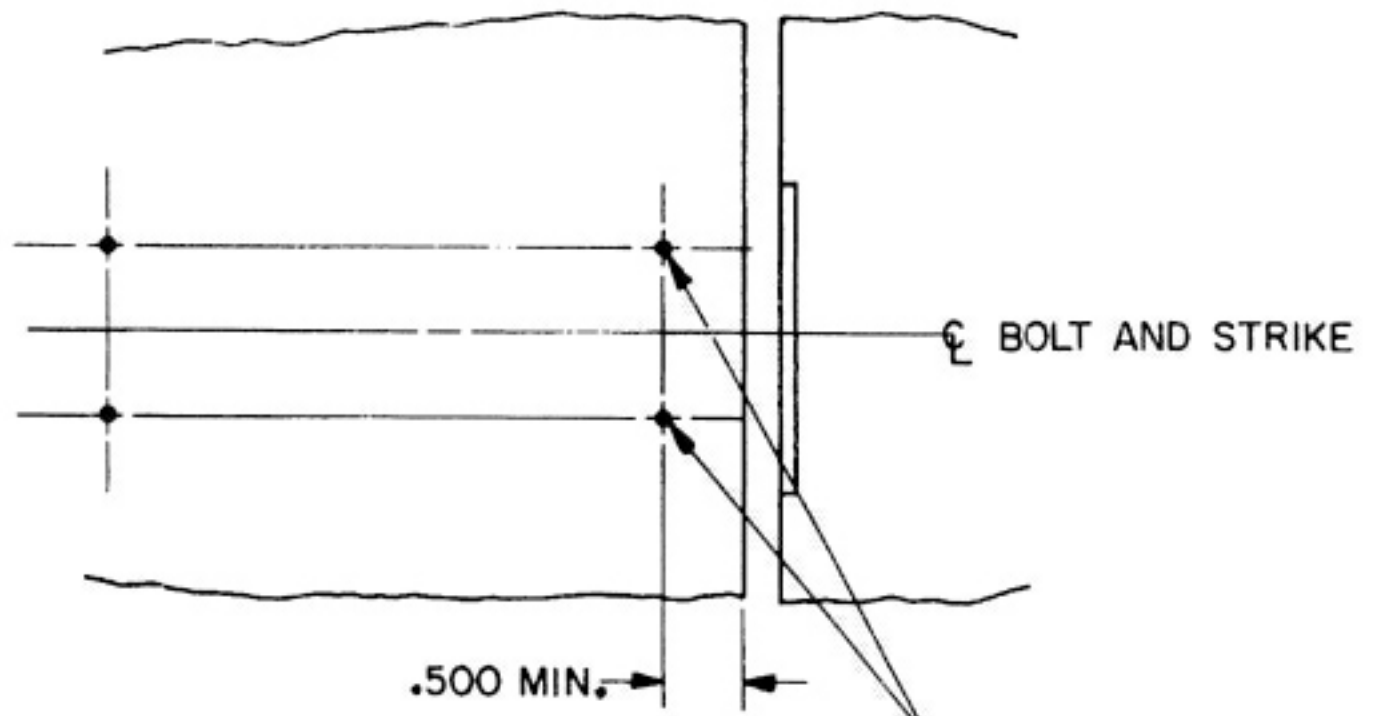
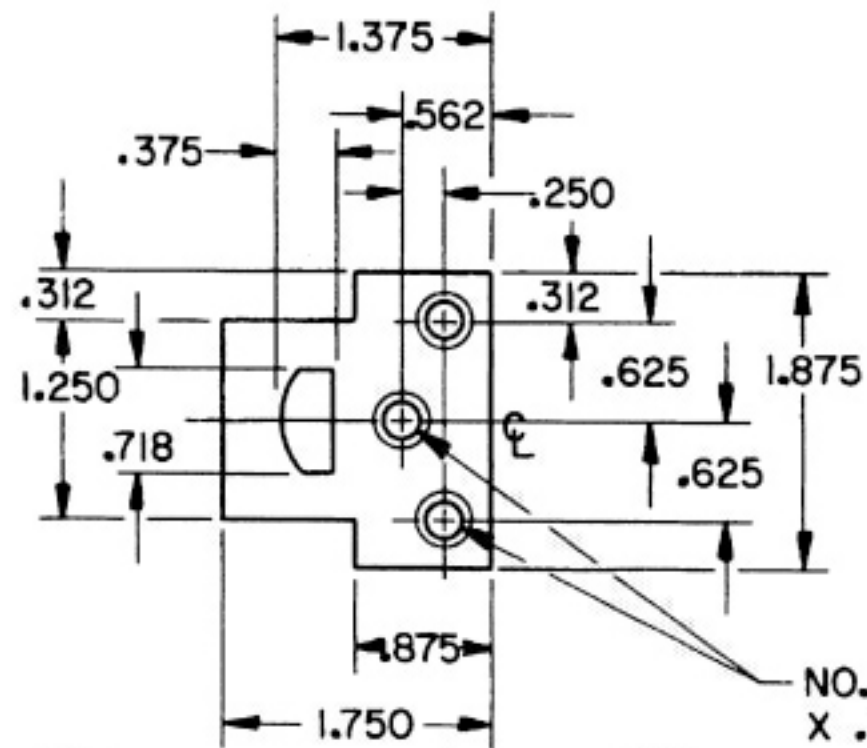


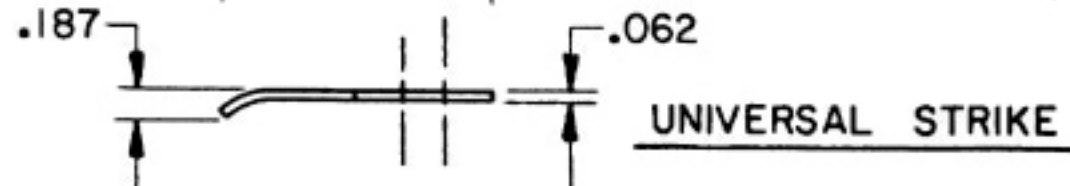
DOOR AND JAMB DETAIL



NO. 6 RD. PH. W/S
X 1.00 LG. (4-REQ'D)

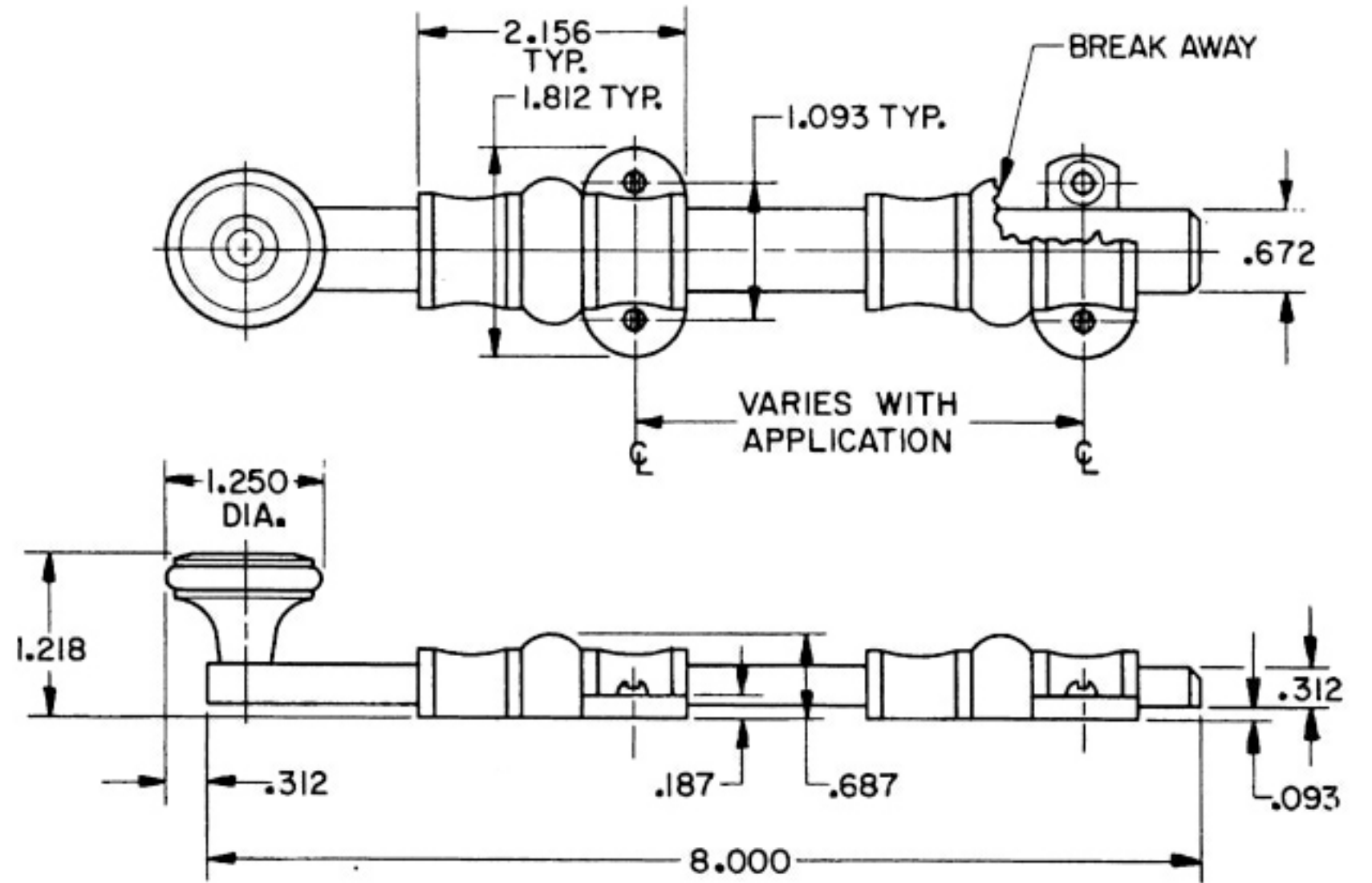


NO. 8 FL. PH. W/S
X .750 LG. (3-REQ'D)



UNIVERSAL STRIKE

BOLT DETAIL



EFFECTIVE: 9-1-86 R.A.S.



- SKU 979936 Lifetime Polished Brass (003)
- SKU 979938 Oil Rubbed Bronze (102)
- SKU 979940 Venetian Bronze (112)
- SKU 979942 Satin Nickel (150)