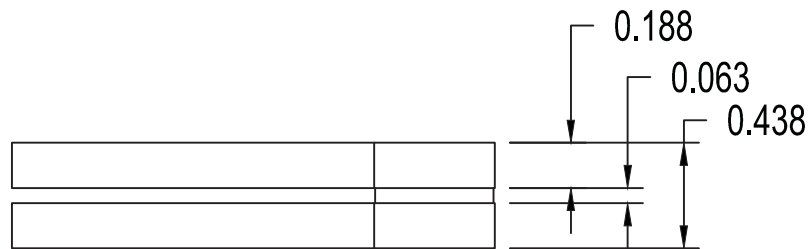
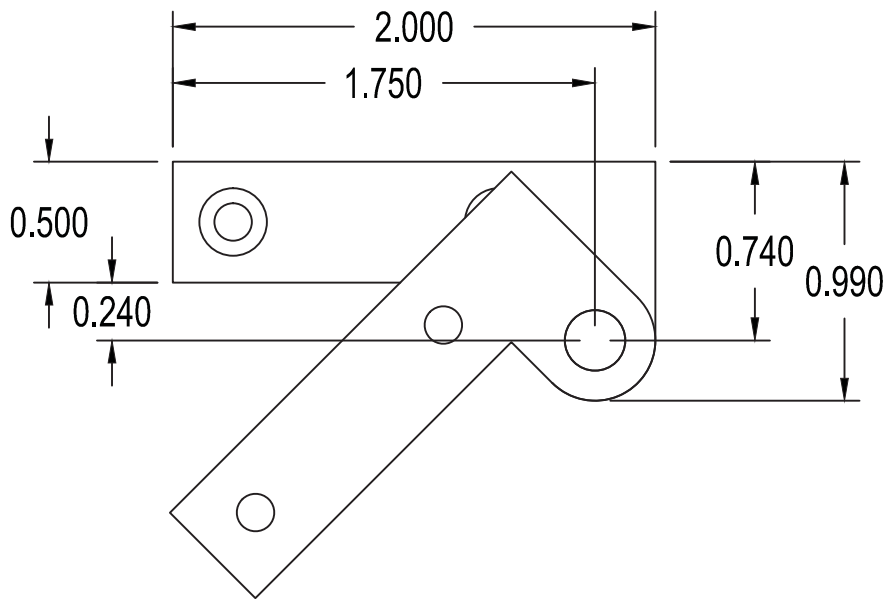
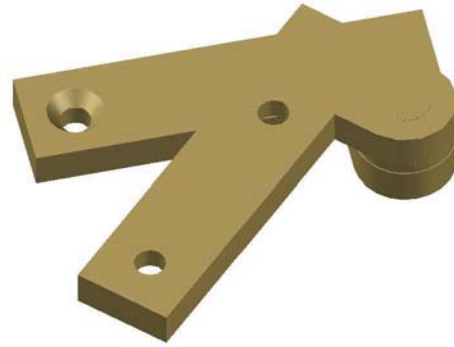


L 87



Questions- Call before mortising 212-337-8510

BRUSSO[®]
American Made
PRECISION HARDWARE

© 1983-2012 Brusso Hardware LLC
 67-69 Greylock Avenue
 Belleville, NJ 07109
 T 212-337-8510 F 212-337-9840

Product: L 87 Offset Pivot Hinge

Revision: 0

Component: TEMPLATE

Material: BRASS

File Name:
 L 87 Offset
 Pivot Hinge

Catalog No: L 87

Drawn By: KCA

Checked By: RB

Tolerances unless otherwise specified: Machined features fraction $\pm 1/64$
 Decimal .xxx $\pm .005$, Angular ± 1 Degree, Hole Diameter $+.003/- .002$

Scale: NONE

Date: 2/16/13

Date: 2/25/13

Sheet: 1 of 4