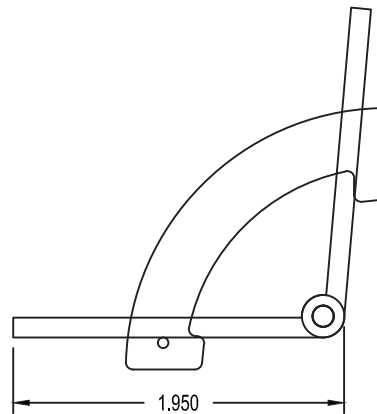
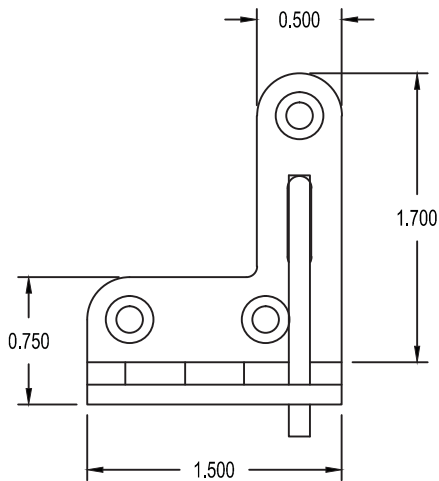
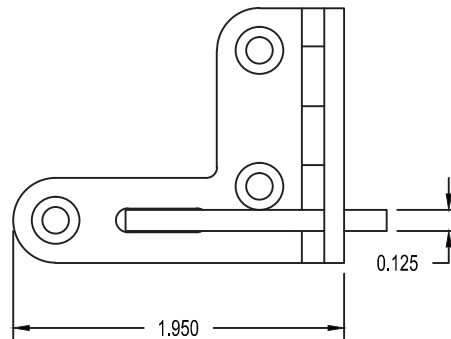
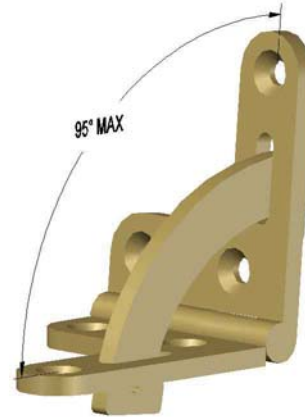


HD 680LH



Questions- Call before mortising 212-337-8510

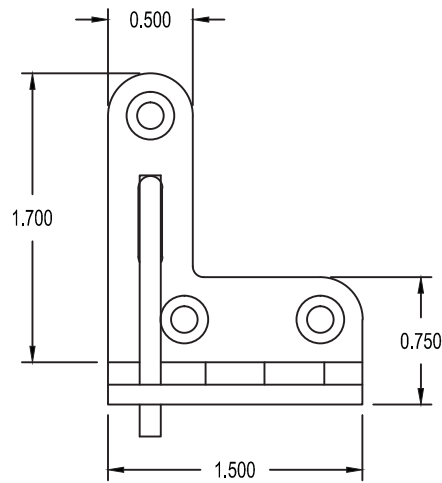
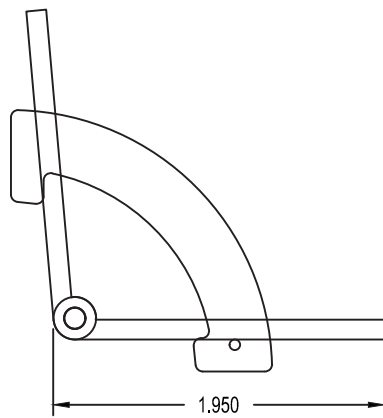
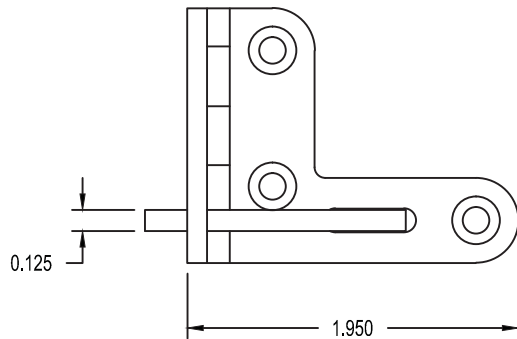
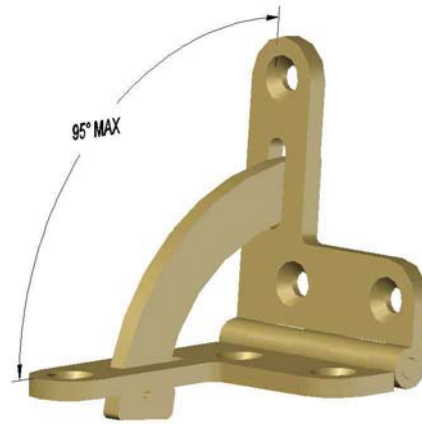
BRUSSO[®]
American Made
PRECISION HARDWARE

© 1983-2012 Brusso Hardware LLC
67-69 Greylock Avenue
Belleville, NJ 07109
T 212-337-8510 F 212-337-9840

Product: HD 680 LH QUADRANT HINGE		Revision: 1	
Component: TEMPLATE	Material: BRASS		File Name: HD 680LH QUADRANT HINGE
Catalog No: HD 680 LH	Drawn By: KCA	Checked By: RB	
Scale: NONE	Date: 2/12/13	Date: 3/5/13	Sheet: 1 of 5

Tolerances unless otherwise specified: Machined features fraction $\pm 1/64$
Decimal $\pm .005$, Angular ± 1 Degree, Hole Diameter $+0.003/-0.002$

HD 680RH



Questions- Call before mortising 212-337-8510

BRUSSO[®]
American Made
PRECISION HARDWARE

© 1983-2012 Brusso Hardware LLC
67-69 Greylock Avenue
Belleville, NJ 07109
T 212-337-8510 F 212-337-9840

Product: HD 680 RH QUADRANT HINGE

Revision: 1

Component: TEMPLATE

Material: BRASS

File Name:
HD 680
QUADRANT HINGE

Catalog No: HD 680RH

Drawn By: KCA

Checked By: RB

Scale: NONE

Date: 2/10/13

Date: 3/5/13

Sheet: 1 of 5

Tolerances unless otherwise specified: Machined features fraction $\pm 1/64$
Decimal $\pm .005$, Angular ± 1 Degree, Hole Diameter $+0.003/-0.002$