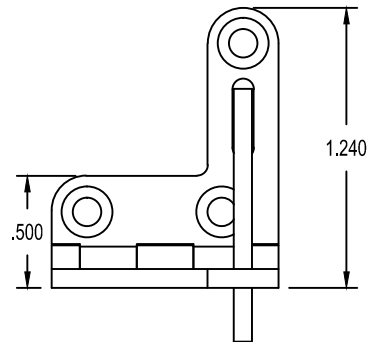
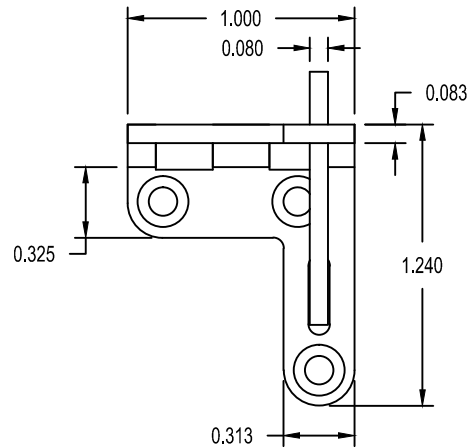
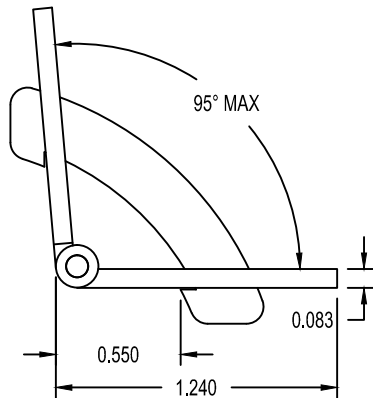
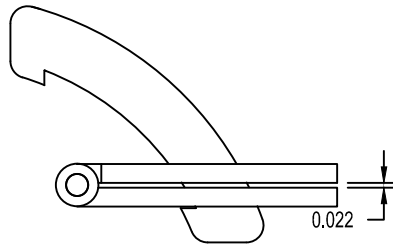


# HD 638RH

USE TJ 638 TEMPLATE  
TO INSTALL



Questions- Call before mortising 212-337-8510

**BRUSSO**<sup>®</sup>  
*American Made*  
PRECISION HARDWARE

© 1983-2012 Brusso Hardware LLC  
67-69 Greylock Avenue  
Belleville, NJ 07109  
T 212-337-8510 F 212-337-9840

Product: HD 638 RH QUADRANT HINGE

Revision: B

Component: TEMPLATE

Material: BRASS

File Name:  
HD 638RH  
QUADRANT HINGE

Catalog No: HD 638 RH

Drawn By: KCA

Checked By: RB

Tolerances unless otherwise specified: Machined features fraction ± 1/64  
Decimal .xxx ± .005, Angular ± 1 Degree, Hole Diameter +.003/-0.002

Scale: NONE

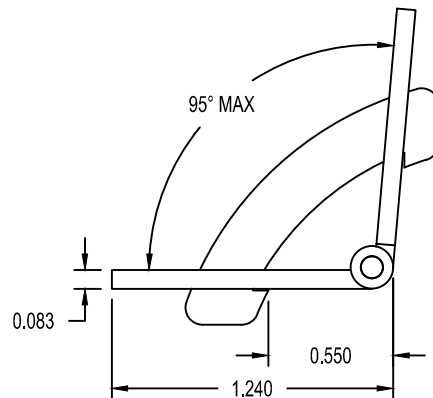
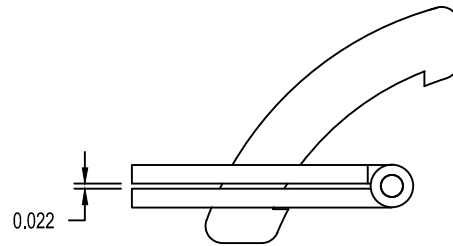
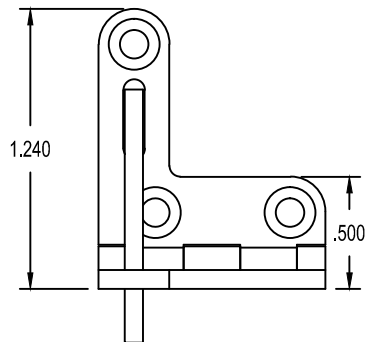
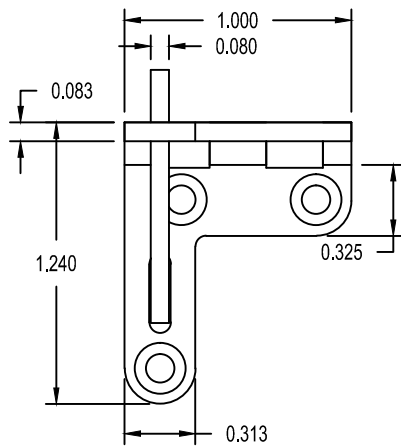
Date: 4/24/13

Date: 4/27/13

Sheet: 1 of 5

# HD 638LH

USE TJ 638 TEMPLATE  
TO INSTALL



Questions- Call before mortising 212-337-8510

**BRUSSO**<sup>®</sup>  
*American Made*  
PRECISION HARDWARE

© 1983-2012 Brusso Hardware LLC  
67-69 Greylock Avenue  
Belleville, NJ 07109  
T 212-337-8510 F 212-337-9840

Product: HD 638 LH QUADRANT HINGE

Revision: 0

Component: TEMPLATE

Material: BRASS

File Name:  
HD 638LH  
QUADRANT HINGE

Catalog No: HD 638 LH

Drawn By: KA

Checked By: RB

Tolerances unless otherwise specified: Machined features fraction  $\pm 1/64$   
Decimal  $.xxx \pm .005$ , Angular  $\pm 1$  Degree, Hole Diameter  $+0.003/-0.002$

Scale: NONE

Date: 4/24/13

Date: 4/27/13

Sheet: 1 of 5