

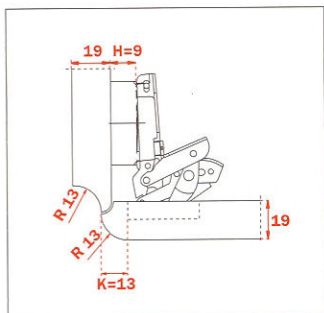
All dimensions are in millimeters

H = mounting plate height

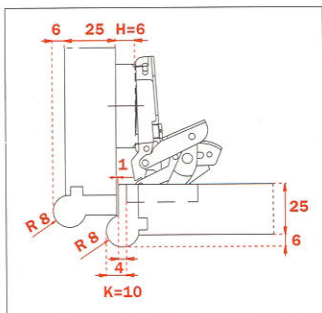
R = radius

K = bore distance

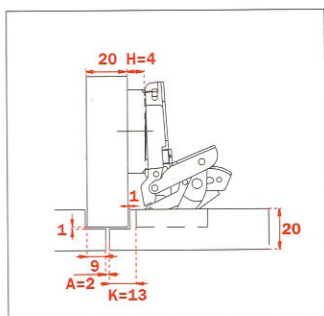
A = reveal



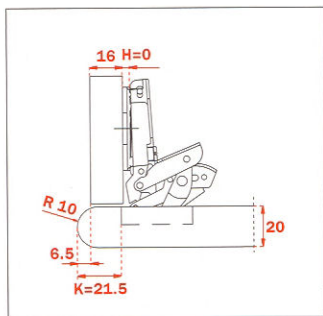
Profile #1
Use 9mm Mounting Plate
SKU 796704



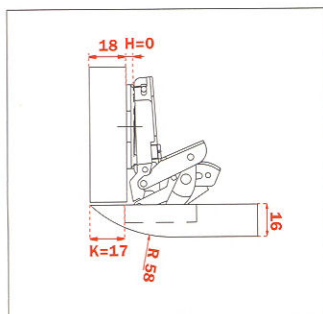
Profile #2
Use 6mm Mounting Plate
SKU 796703



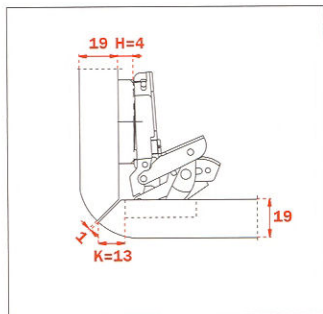
Profile #3
Use 4mm Mounting Plate
SKU 796707



Profile #4
Use 0mm Mounting Plate
SKU 796700



Profile #5
Use 0mm Mounting Plate
SKU 796700



Profile #6
Use 4mm Mounting Plate
SKU 796707

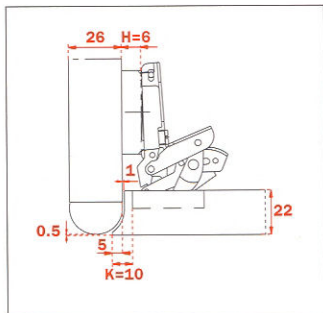
All dimensions are in millimeters

H = mounting plate height

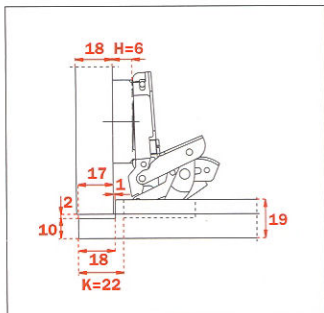
R = radius

K = bore distance

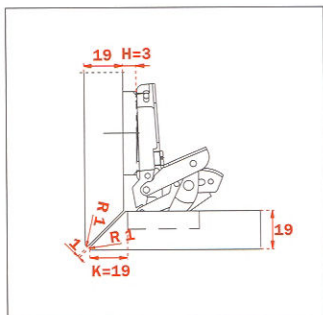
A = reveal



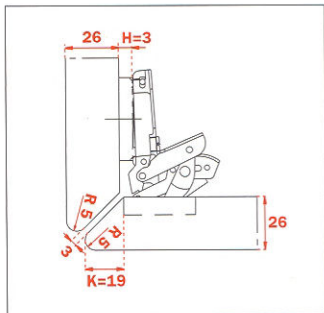
Profile #7
Use 6mm Mounting Plate
SKU 796703



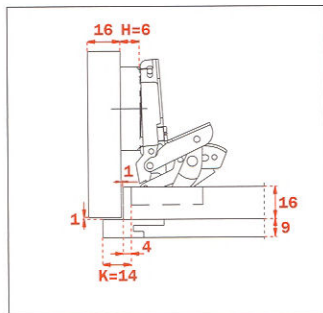
Profile #8
Use 6mm Mounting Plate
SKU 796703



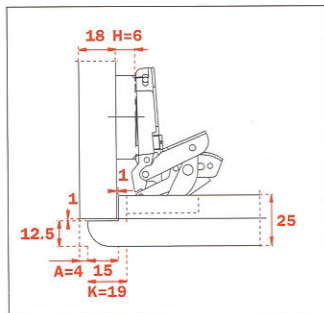
Profile #9
Use 3mm Mounting Plate
SKU 796702



Profile #10
Use 3mm Mounting Plate
SKU 796702



Profile #11
Use 6mm Mounting Plate
SKU 796703



Profile #12
Use 6mm Mounting Plate
SKU 796703