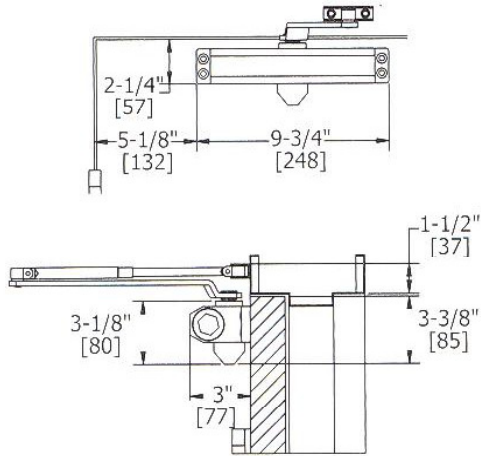


5400 SERIES APPLICATIONS

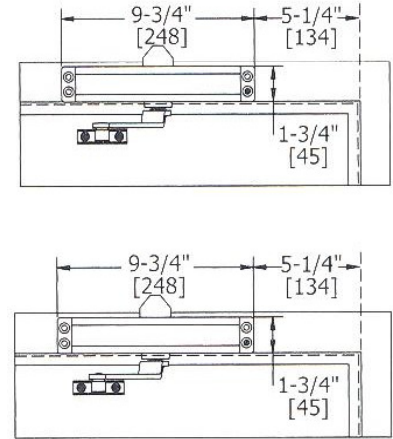
Regular Arm Mount

Opening:	Templating allows up to 180°
Frame Face:	1-1/2" (38 mm) minimum
Ceiling Clearance:	1-3/4" (44 mm) minimum
Top Rail:	2-1/4" (57 mm) minimum
Top Rail Clearance:	3-1/2" (89 mm) minimum



Top Jamb Mount

Opening:	Templating allows up to 180°
Frame Face:	1-3/4" (45 mm) minimum
Ceiling Clearance:	2-3/4" (70 mm) minimum
Top Rail:	1-7/8" (48 mm) minimum
Top Rail Clearance:	2-1/8" (54 mm) minimum



Parallel Arm Mount

Opening:	Templating allows up to 180°
Top Rail:	<ul style="list-style-type: none"> • 5/8" (16 mm) frame stop • 4-3/4" (121 mm) minimum
Top Rail Clearance:	5-3/4" (146 mm) minimum

