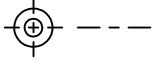
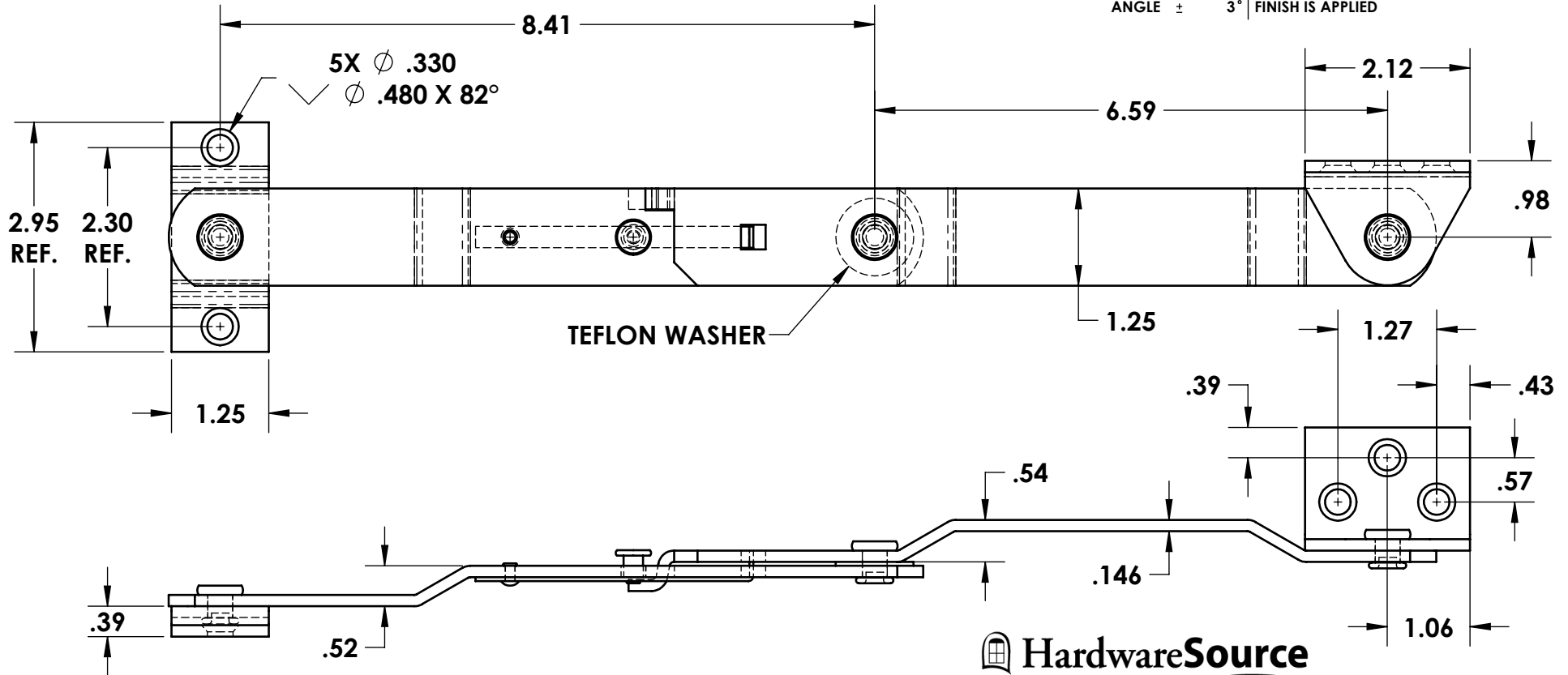


A
SIZE

PROJECTIONS



LEFT HAND



TOLERANCES UNLESS OTHERWISE SPECIFIED:

PLACES	INCHES	NOTES:
.XX	± .030	ACCEPTABLE BURR ± 10% OF MATERIAL THICKNESS
.XXX	± .015	ALL TOLERANCES ARE NON-CUMULATIVE
.XXXX	± .005	ALL DIMENSIONS APPLY TO PART BEFORE ANY FINISH IS APPLIED
ANGLE	± 3°	

 **HardwareSource**

1 (858) 322-6353

www.HardwareSource.com

Left Hand (Shown): SKU 204002

Right Hand: SKU 204004